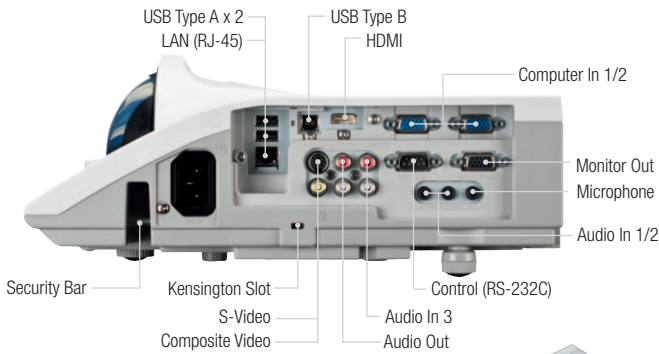


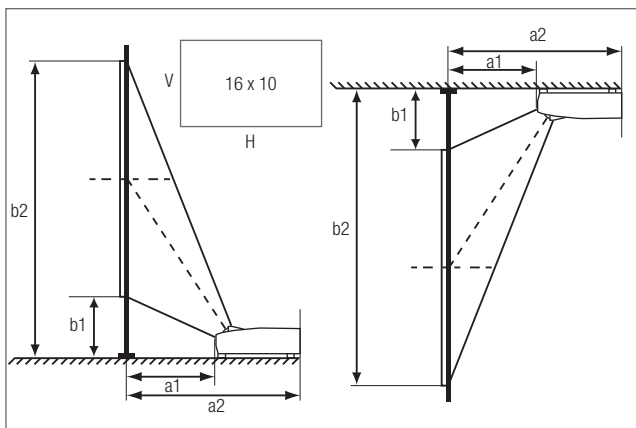
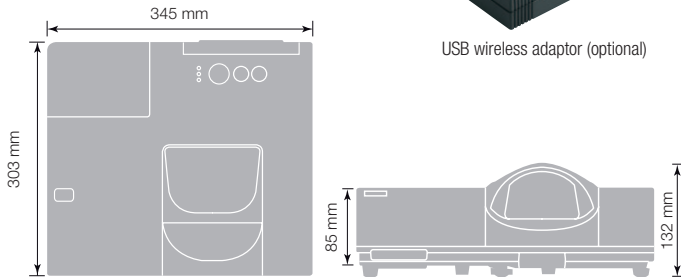
# CP-DW25WN

Technical Specifications

**HITACHI**  
Inspire the Next



USB wireless adaptor (optional)



Throw distance (from lens to screen)

| Screen size (diagonal) | H x V |       | a1    | a2    | b1    | b2    |
|------------------------|-------|-------|-------|-------|-------|-------|
|                        | (m)   | (m)   |       |       |       |       |
| 60" (1.5m)             | 1.292 | 0.808 | 0.586 | 0.850 | 0.242 | 1.050 |
| 70" (1.8m)             | 1.508 | 0.942 | 0.692 | 0.956 | 0.272 | 1.214 |
| 80" (2.0m)             | 1.723 | 1.077 | 0.799 | 1.063 | 0.302 | 1.379 |
| 90" (2.3m)             | 1.939 | 1.212 | 0.905 | 1.169 | 0.331 | 1.543 |
| 100" (2.5m)            | 2.154 | 1.346 | 1.011 | 1.275 | 0.361 | 1.707 |



## OPTICAL

|   |  |
|---|--|
| LCD Panel                               | 0.59" (1.5cm) P-Si TFT x 3                                 |
| Resolution                              | WXGA (1280 x 800)  |
| White light output (brightness)         | 2500 ANSI Lumens (Normal Mode)/1600 ANSI Lumens (Eco Mode) |
| Colour light output (colour brightness) | 2500 ANSI Lumens (Normal Mode)/1600 ANSI Lumens (Eco Mode) |
| Contrast ratio                          | 3000:1   |
| Lens                                    | Manual focus, Digital zoom x 1.2                           |
| Lamp wattage                            | 215W UHP   |
| Lamp life                               | 3000 hours (Normal Mode)/5000 hours (Eco Mode)*1           |
| Diagonal display size                   | 60~100" (152~254cm)  |
| Number of colours                       | 8 Bit/colour, 16.7M colours                                |
| Keystone                                | 5.5:-1 upward shift, fixed                                 |
| Focus distance                          | 0.547m~0.972m (Wide)                                       |
| Distance to width ratio                 | 0.4:1  |

## COMPATIBILITY

|                        |  |
|------------------------|--|
| Computer compatibility | IBM Compatible VGA, SVGA, XGA, WXGA, WXGA+, SXGA, SXGA+, UXGA (compressed), MAC 16"                  |
| Composite/S-Video      | NTSC, PAL, SECAM, PAL-M, PAL-N, NTSC4.43   |
| Component Video        | 525i(480i), 525p(480p), 625i(576i), 1125i(1080i@50/60), 1125p(1080p@50/60), 750p(720p@50/60)         |
| HDMI Video             | Signal: 525i(480i), 525p(480p), 625i(576i), 1125i(1080i@50/60), 750p(720p@50/60), 1125p(1080p@50/60) |
| Plug & Play            | DDC2B  |

## FEATURES

|                             |   |
|-----------------------------|---|
| Speakers                    | 10W x 1 (mono)  |
| Basic functions             | Freeze, Magnifying, Blank, Auto adjustment, Search, Page Up & Down (for USB mouse function), Auto signal search, Auto eco mode  |
| Picture adjustments         | Aspect selection (video, data, HDMI), Equalizing Digital Gamma Correction, Equalizing Color temperature adjustment, 2-3 pull down for NTSC, Mirror reverse image, up-side down image, Progressive Scan, Noise Reduction, Overscan   |
| Digital keystone correction | Vertical $\pm 5^\circ$ (WXGA@60Hz)  |
| Advanced features           | MyScreen, My Memory, My Button, My Text, My Source, Picture mode (normal, cinema, dynamic, blackboard, whiteboard greenboard, photo), Daytime Mode, Input Source Naming (English), Resolution setting, Template, Closed Caption (for NTSC & component 480i only), Audio pass through, Framelock, Audio ports assign, Cloning, Drawing function (Optional wireless pen tablet TB-1 is necessary), Eco Mode (Normal, Eco, Intelligent eco, Saver), iOS Connectivity, ImageCare™ |
| Outward                     | Easy lamp replace from top, Air filter slides towards front side or top   |
| Power on & off              | Direct On, Auto Off   |
| Security systems            | Security bar, PIN-Lock, MyScreen Password, Key Lock (key pad and remote control), Kensington slot, Transition detector, My Text Password, Security label  |
| Network                     | Network presentation (PC still/moving picture transfer), Configure and control projector via web browser, receive alerts via e-mail, projector management via SNMP, Crestron RoomView®, Scheduling, My Image, displaying text data transferred via the network, Command Control via network, AMX Device Discovery, PJ Link™, Network Bridge   |
| OSD languages               | English, French, German, Spanish, Italian, Norwegian, Dutch, Japanese, Portuguese, Simplified Chinese, Traditional Chinese, Korean, Swedish, Russian, Finnish, Polish, Turkish, Arabic, Persian, Czech, Danish, Hungarian, Romanian, Slovenian, Croatian, Greek, Lithuanian, Estonian, Latvian, Thai, Portuguese (Brazil), Indonesian, Vietnamese   |

## CONNECTIONS

|                  |   |
|------------------|---|
| Digital input    | 1 x HDMI (HDCP compatible)  |
| Computer input   | 2 x 15-pin Mini D-sub   |
| Monitor output   | 1 x 15-pin Mini D-sub   |
| Video input      | 2 x 15-pin Mini D-sub (shared with analogue computer in 1/2), 1 x RCA for composite, 1 x Mini-DIN for S-Video |
| Audio input      | 2 x Stereo Mini Jack, 1 x RCA (L/R) pair, 1 x Microphone Jack   |
| Audio output     | 1 x pair RCA (L/R)  |
| USB Type A       | 2 x USB Type A (for PC-less presentation or wireless network)   |
| USB Type B       | 1 x USB Type B (for USB display or USB mouse control)   |
| Wired Network    | 1 x RJ-45   |
| Wireless Network | IEEE801.11b/g/n ready (optional USB wireless adapter required)  |
| Control          | 1 x 9-pin D-sub for RS-232C control   |

## POWER

|                           |                                   |
|---------------------------|-----------------------------------|
| Power supply              | 100-120V/220-240V, auto switching |
| Power Consumption/Standby | 300W/<0.35W (AC 220-240V)         |

## PHYSICAL

|                        |  |
|------------------------|--|
| Dimensions (W x H x D) | 345 x 85 x 303mm (excluding feet and extrusions) |
| Weight                 | 3.7kg  |
| Noise level            | 28dB (Eco Mode)/34dB (Normal Mode)               |
| Air filter             | Hybrid (Up to 4000 hours)                        |

## MISCELLANEOUS

Indicator lights (lamp, temp, power), Ceiling mount image, Rear projection image, Serial number label on side, MAC PC support: PJ Control software, MAC address label on front, LiveViewer software

## CERTIFICATION

UL60950-1/cUL, FCC Part 15 subpart B class B, CE Marking: EN61000-3-2, EN61000-3-3, EN55022, EN55024 (EMC Directive), EN60950-1 (Low voltage directive), WEEE, RoHS, ErP (lot6) compliant, DEMKO-GS, GOST-R

## ACCESSORIES SUPPLIED

Remote control with batteries (HL02881), Computer cable, Power cord, Lens cap, Security label, Adapter cover, User manual (detail & concise), Application CD

## OPTIONAL ACCESSORIES

|                         |            |
|-------------------------|------------|
| Replacement lamp        | DT01381    |
| USB wireless adaptor    | USB-WL-11N |
| Wireless pen tablet     | TB-1       |
| Interactive camera unit | IM-1       |

## WARRANTY

|                |                    |
|----------------|--------------------|
| Projector/Lamp | 3 Years/6 Months*2 |
|----------------|--------------------|

For education and extended warranties please contact your local dealer

HITACHI DIGITAL MEDIA, Hitachi Europe Ltd, Whitebrook Park, Lower Cookham Road, Maidenhead, Berkshire SL6 8YA UNITED KINGDOM

Tel: +44 (0)1628 585 000 Fax: +44 (0)1628 585 163 www.hitachidigitalmedia.com

\*1. The stated lamp and filter life refers to the average life expected in ideal operating conditions with usage in accordance with the manual. The majority of, but not all lamps and filters should achieve this figure. \*2. Where a lamp fails within warranty and a replacement lamp is taken, the warranty for the replacement lamp will be a maximum of 6 months (dependent on warranty hours stated). HDMI, the HDMI logo and High-Definition Multimedia Interface are trademarks or registered trademarks of HDMI Licensing LLC. Crestron™ and RoomView™ are registered trademarks or trademark of Crestron Electronics, Inc. The specification above and photography is for reference only and may be subject to change.