

# ActivBoard 100 Range

## Product Specifications

### INTERACTIVE WHITEBOARD

The Promethean ActivBoard is designed by teachers, for teachers to transform the classroom into a truly interactive learning environment. The ActivBoard 100 comes with an ActivPen (Teacher) that writes like a pen with the added functionality of a mouse, access to ActivInspire Personal Edition and is available in two sizes. Optional upgrades are available for wireless connectivity to the computer and Dual-User functionality.

### GENERAL SPECIFICATIONS

<b>Internal Resolution</b>	2730 points (lines) per inch
<b>Output Resolution</b>	200 points (lines) per inch
<b>Tracking Rate</b>	200 inches per second providing a fast response to pen commands
<b>Output Rate</b>	120 coordinate pairs per second
<b>User Input</b>	Cordless battery-free pen incorporating tip switch and side switch for full mouse functionality (ActivPen) ActivPen (Teacher): 167mm x 20mm x 23mm (6.57in x .79in x .91in) Pen weight: 25g (0.9oz) Optional ActivWand 50 for extended reach
<b>Digitizing Technology</b>	Passive electromagnetic interface encased behind robust melamine for technical reliability and durability
<b>Screen Surface</b>	Low glare melamine providing an efficient projection surface
<b>Screen Format</b>	4:3
<b>Certifications</b>	UL, CE, FCC
<b>Operating Temperature</b>	0°C - 50°C (14°F - 122°F)
<b>Storage Temperature</b>	-20°C - 70°C (-4°F - 158°F); Humidity (non condensing) 0% - 90%
<b>Power Requirement</b>	USB powered device
<b>Connection to Computer</b>	USB with supplied 5m (16ft) USB cable; wirelessly with the ActivHub 2.4 GHz inserted in computer (wireless connection requires use of power supply unit); Optional Wireless Upgrade Pack 100/300 available
<b>Dual-User Functionality</b>	Optional ActivArena 50 upgrade pack Requires ActivInspire Professional Edition
<b>Mounting Options</b>	Wall mounting brackets are included; can be included with ActivBoard+2 Fixed system



### ACTIVBOARD SPECIFICATIONS

Model	ActivBoard 164	ActivBoard 178
ActivBoard Size	64in	78in
Resolution	10000 x 8000	12800 x 9200
Overall Dimensions	1426mm x 1166mm (56.2in x 45.9in)	1768mm x 1329mm (69.6in x 52.3in)
Active Area Dimensions	1271mm x 1012mm (50in x 40in)	1614mm x 1175mm (64in x 46in)
Active Area Diagonal	1617mm (63.6in)	1988mm (78.3in)
Actual Image Diagonal (4:3)	1590mm (62.6in)	1959mm (77.1in)
Board Weight	16kg (35lb)	22kg (49lb)
Packed Weight	26kg (57lb)	37kg (82lb)
Packed Dimensions	1563mm x 1282mm x 120mm (61.5in x 50.5in x 4.7in)	2000mm x 1480mm x 120mm (78.7in x 58.3in x 4.7in)
Packed Contents List	ActivBoard 164, 1 ActivPen (Teacher), 5m (16ft) USB cable, wall mounting brackets, Installation Guide (includes safety guidelines) Access to ActivInspire Personal Edition via download from Promethean Planet (DVD optional and free if ordered at same time)	ActivBoard 178, 1 ActivPen (Teacher), 5m (16ft) USB cable, wall mounting brackets, Installation Guide (includes safety guidelines) Access to ActivInspire Personal Edition via download from Promethean Planet (DVD optional and free if ordered at same time)

### MINIMUM SYSTEM REQUIREMENTS

Operating Systems	Windows XP SP2 and above (XP/Vista/7); Mac OSX 10.4.11 – 10.6.1 (Tiger/Leopard/Snow Leopard); Linux Ubuntu 8.04, 8.10, 9.04, 9.10; Mandriva
PC	Pentium 4 – 1 GHz processor (800MHz for Vista), 512 MB of RAM, 1024x768 resolution, 1.5 GB of Free Disk space
Mac	Macintosh Intel Processors (Universal Binary), 512 MB of RAM, 1024x768 resolution, 3.0 GB of Free Disk Space
Installation	Operation of the ActivBoard 100 requires installation of the driver included with the ActivInspire Personal Edition software and one open USB computer port. Components supplied and minimum specifications stated have been tested and are required for optimal performance. Use of components not supplied by Promethean or not meeting minimum specifications may impact performance and affect warranty. Contact your Promethean partner or visit <a href="http://www.prometheankb.com">www.prometheankb.com</a> for more information. Specifications and access for ActivInspire Personal Edition are located on Promethean Planet at <a href="http://www.prometheanplanet.com/ActivInspire">www.prometheanplanet.com/ActivInspire</a> . User with administrator/privileged access rights required to install driver and software.

### UPGRADE AND ACCESSORY OPTIONS

---

**ActivArena 50 Upgrade Pack**

Allows 2 users to work on the ActivBoard simultaneously; includes 2 Teacher and 2 Student ActivPens, ActivArena Resources CD, ActivArena paper license, and ActivArena Quick Start Guide (requires ActivInspire Professional Edition)

---

**Wireless Upgrade Pack 100/300**

Allows the ActivBoard 100 to connect to the computer wirelessly; includes an ActivHub (2.4 GHz), PSU (power supply unit) and Quick Start Guide

---

**ActivWand 50**

Wireless, battery free and extended reach input device for the ActivBoard – 540mm (21.2in) in length; “left click”, cursor and hover, just like a mouse

---

### WARRANTY AND SUPPORT

---

**ActivBoard 100 Range**

One-Year Warranty and One-Year Email and 90-Day Telephone Support plus One-Year Warranty and Email upon registration  
Knowledgebase: [www.prometheankb.com](http://www.prometheankb.com)

---

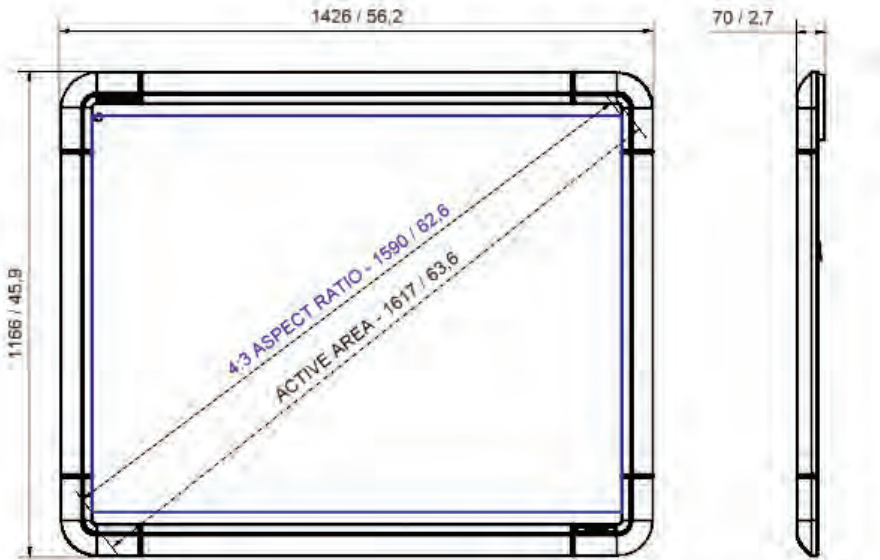
**ActivPen**

One-Year Warranty and 90-Day Telephone Support  
Knowledgebase: [www.prometheankb.com](http://www.prometheankb.com)

---

### TECHNICAL DRAWING SPECIFICATIONS

ActivBoard 164



ActivBoard 178

